

# ENTRY LEVEL FLASH CURE UNIT F-FLASH

## F-Flash

Model # **F1-18** \$495\*

- RELIABLE 1,750 Watt High Density Infrared Heater 18" (46 cm) sq.
- GUARANTEED 3 year warranty including heater
- USER FRIENDLY On-Off breaker switch & diagnostic pilot light
- CONVENIENT Heavy duty side handles
- THIN PROFILE Ultra slim 2.75" (7 cm) height head fits between screen & pallet
- ADJUSTABLE Height adjustable stand
- SAFE Vented heat shield
- VERSATILE Head rotates 360 degrees
- FAST Flashes plastisol in up to 10 seconds
- DURABLE Anti-rust treatment on powder coated all steel construction

### Options

- Locking casters for easy mobility (add on kit)



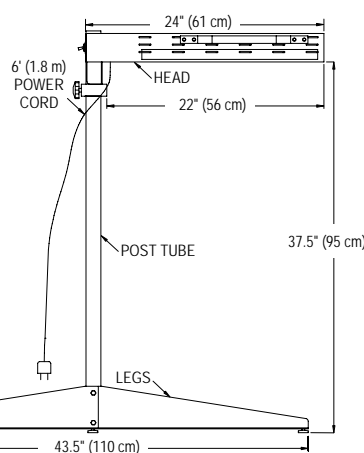
**3 YEAR  
WARRANTY**

18" sq. Heater [46 cm]

### Technical Specifications

CE TUV-ISO 9001-2000 Compliant		F1-18
Heater Size	18" x 18" (46 x 46 cm)	
Heater Wattage	1,750 Watt Heater	
Unit Warm Up Time	15 min.	
Electrical Specs	120V / 15A / 50/60Hz	
Power Cord** - requires dedicated line	NEMA 5-15P Plug	
Overall Height x Width	47" x 45" (120 x 115 cm)	
Shipping Weight*** - Head + Legs	44 lbs (20 kg)	
Shipping Weight*** - Post Tube	4 lbs (1.8 kg)	
Shipping Dimensions*** - Head + Legs	28" x 24" x 7" (71 x 61 x 18 cm)	
Shipping Dimensions*** - Post Tube	41" x 3" x 3" (104 x 8 x 8 cm)	

F-Flash ships UPS in 2 packages.



Vastex value priced, entry level screen printing line of equipment includes the F-Flash, the V-1000 manual press (tabletop or floor version with micro-registration), the E-1000 exposure unit, and the UC-1000 utility cart. The UC-1000 utility cart can be used as a stand for the V-1000 manual tabletop press, the E-1000 exposure unit, or the DB-18 tabletop infrared 18" width conveyor belt dryer.

\* Starting List Price (USD). Price does NOT include crating and shipping charges. 6% sales tax will be added for PA billing addresses. Prices subject to change without notice.

\*\* If extension cord is required, recommend using minimum 12 gauge wire with maximum 12' (3.6 m) length. For longer lengths, consult electrician.

\*\*\* All shipping weights and dimensions are for continental US shipping only. Call for other shipping specifications.

Vastex International Inc.

610.434.6004 | Toll Free 800.482.7839 | Fax 610.434.6607 | www.vastex.com



F-Flash\_1007