

AUTOFLASH

FLASH CURE UNIT

Features:

- Powerful DC Gear Motor
- Eccentric arm drive for a consistent and smooth start and stop.
- 0-30 second precision timer
- Head rotates 95 degrees
- Purchase as a complete unit
- Upgrade your existing E-Flash or RedFlash
- Works with 18" x 18" or 18" x 24" models
- Available in 120 or 240 volt.
- Works with E-Flash or RedFlash (See flash literature for specifications)
- Foot pedal actuated with 7' cord
- Low profile 2 3/4" head height
- Easy Adjustable height
- Unique heater Leveler
- Large locking casters
- Ships UPS, three separate boxes.

Options:

- Heavy Duty Stand with large locking casters (shown in photo).

Here's how to order:

1. Choose heater style: RedFlash or E-Flash
2. Choose heater size: 18"x 18" or 18" X 24"
3. Choose voltage of heater: 120V or 240V
4. Choose AutoFlash voltage: AF-120 or AF-240
5. Choose stand: Heavy Duty or Original

***Accurately control the time ...
over your pallet!***



AutoFlash

AF-120 for 120 volt
AF-240 for 240 volt

New Heavy-duty stand SHHD-STAND

Quality starts
with Consistency

Original Stand SH-STAND-WS



Built in the USA, since 1960!

1032 North Irving Street
Allentown, PA 18109-1846
USA

Phone: +1.610.434.6004
Toll Free: 1.800.482.7839
Fax: +1.610.434.6607

WWW.VASTEX.COM

The Best Quality Flash Cure Unit Available Today!

Did You Know?

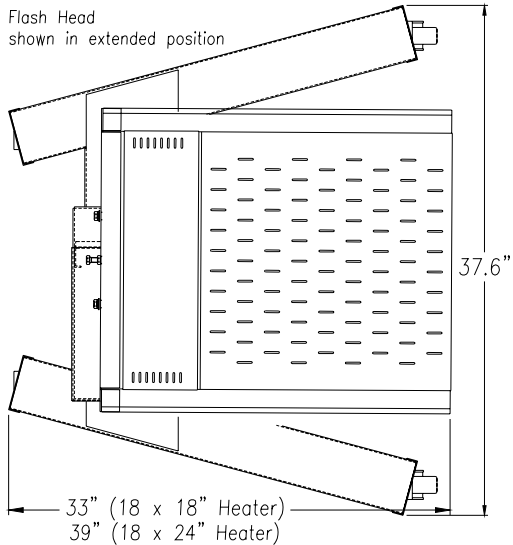
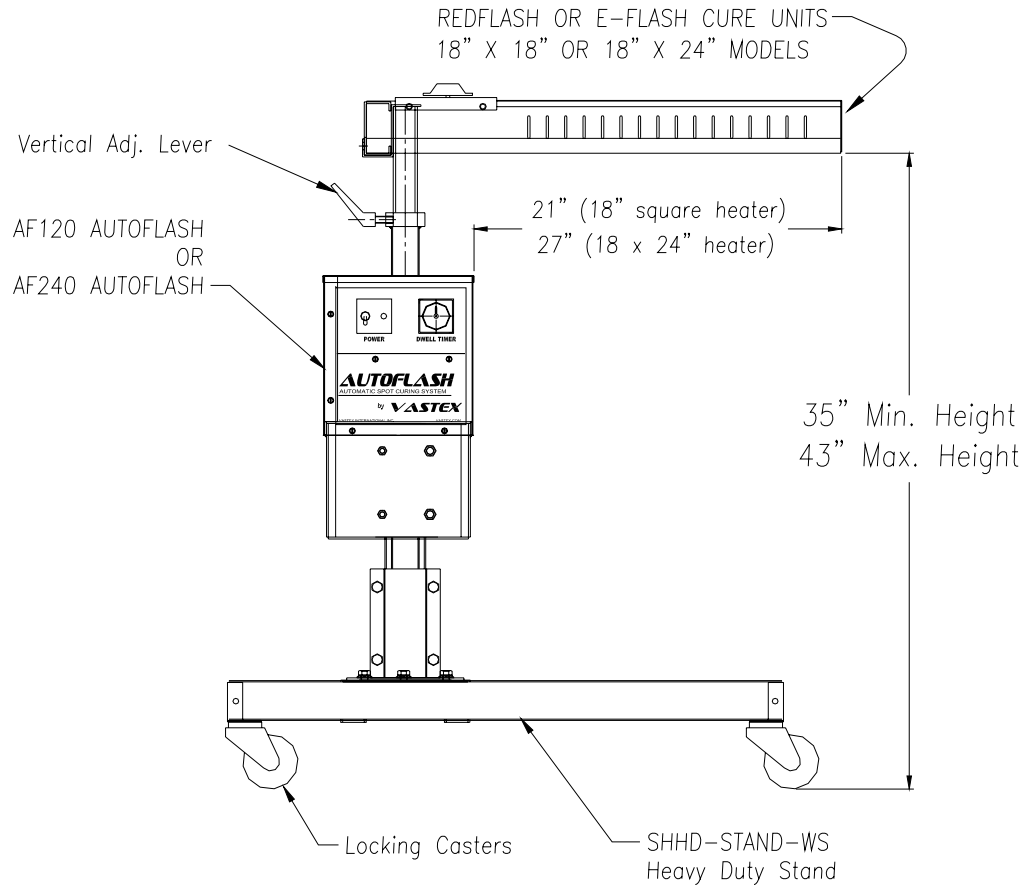
With over 40+ years in the screen printing industry, Vastex has the knowledge and experience to provide the most dependable flash cure heaters in the industry!

The all new AutoFlash uses the highest quality components for reliable operation time and time again. We designed a drive with an eccentric arm to develop a robotic motion from the powerful DC gear motor.

Purchase a complete unit or upgrade your existing flash with the lower square tube. Check out the 18" x 24" model which is ideal for oversize designs!

If you want to beat your competition in a flash, head over to www.vastex.com to learn more.

Technical Specifications



Top View

AutoFlash		
Models	AF-120	AF-240
Cycle Time (time to turn 95 Degrees)	Aprox. 2 seconds	Aprox. 2 seconds
Dwell Time over Pallet	0-30 Seconds	0-30 Seconds
Electrical Specs - AutoFlash (See RedFlash-E-Flash Literature for information on heating unit.)	110-125 Volts 1 Amp	220-240 Volts 50/60 HZ, 1 Amp
Gear Motor	90 VDC 92LB/IN	90 VDC 92LB/IN
Plug Style	Plug Nema 5-15P	Plug Nema 6-15P
Height from Floor to Face of Heater	35" - 43" 89 - 109 cm	35" - 43" 89 - 109 cm
Shipping Weight and Dims. - Head ⁴	See Red-Flash / E-Flash literature	See Red-Flash / E-Flash literature
Shipping Weight - <u>AutoFlash Unit</u> ⁴	52 lbs / 25 kg	52 lbs / 25 kg
Shipping Dims. - <u>AutoFlash Unit</u> ⁴	30" x 20" x 12" 76 x 51 x 30.5 cm	30" x 20" x 12" 76 x 51 x 30.5 cm
Shipping Weight - <u>SHHD-Stand</u> ⁴	50 lbs / 24 kg	50 lbs / 24 kg
Shipping Dims. - <u>SHHD-Stand</u> ⁴ For Original Stand weight and dims please see RedFlash/E-Flash literature.	32"x 41"x 7" 81 x 104 x 18 cm	32"x 41"x 7" 81 x 104 x 18 cm

¹ 10 year warranty on all infrared heaters. 3 year "bumper-to-bumper" warranty is on manufacturers' defects.

⁴ All shipping weights and dimensions are for continental US shipping only. Call for other shipping specifications.